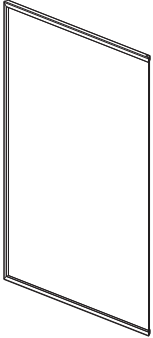



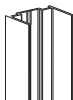
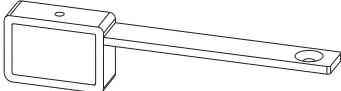
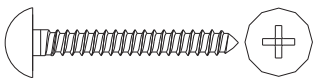
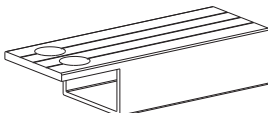
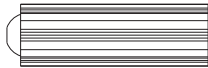


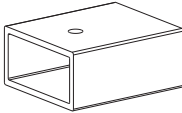

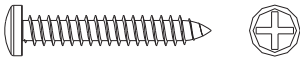

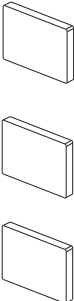

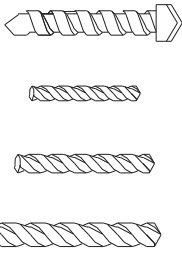
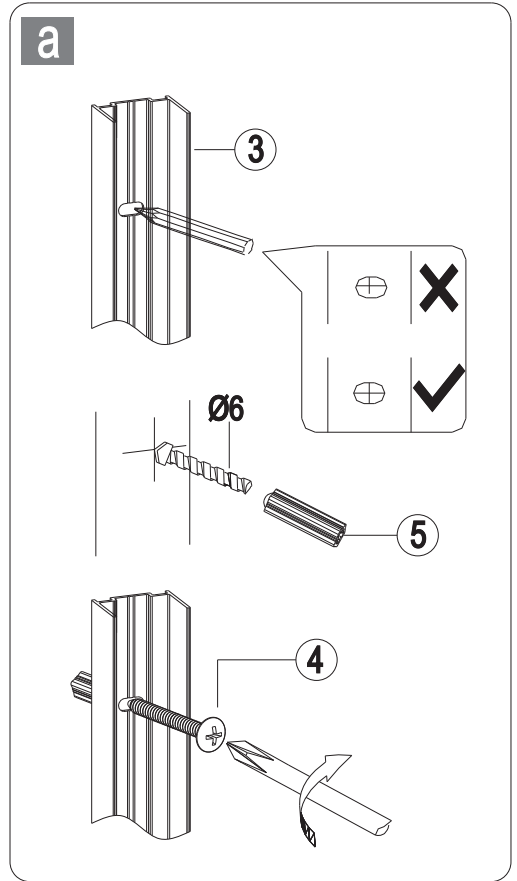
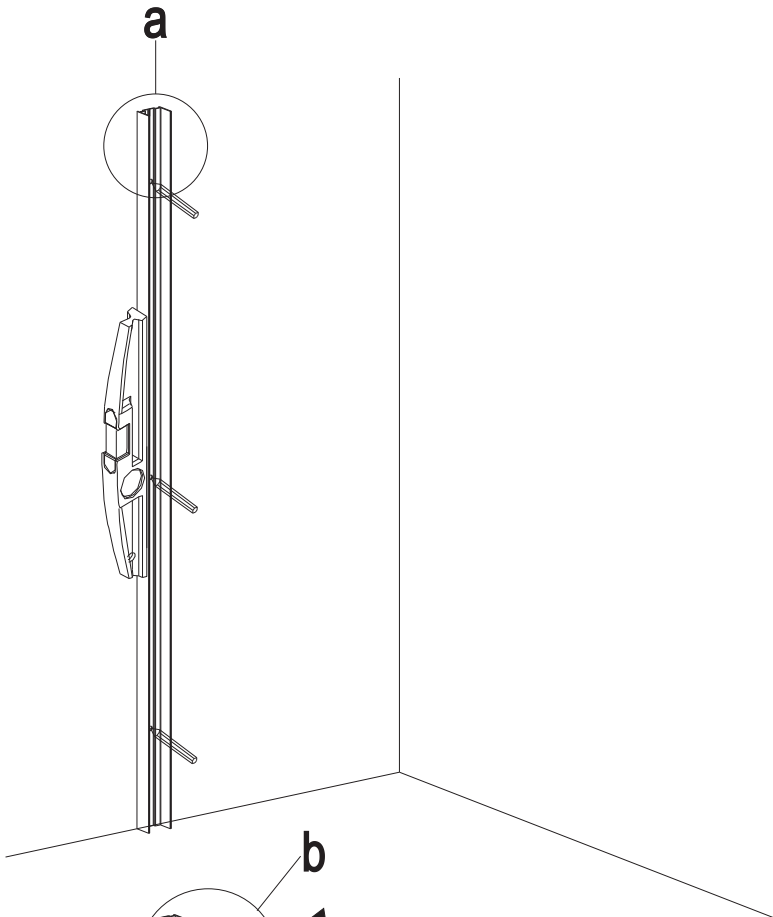
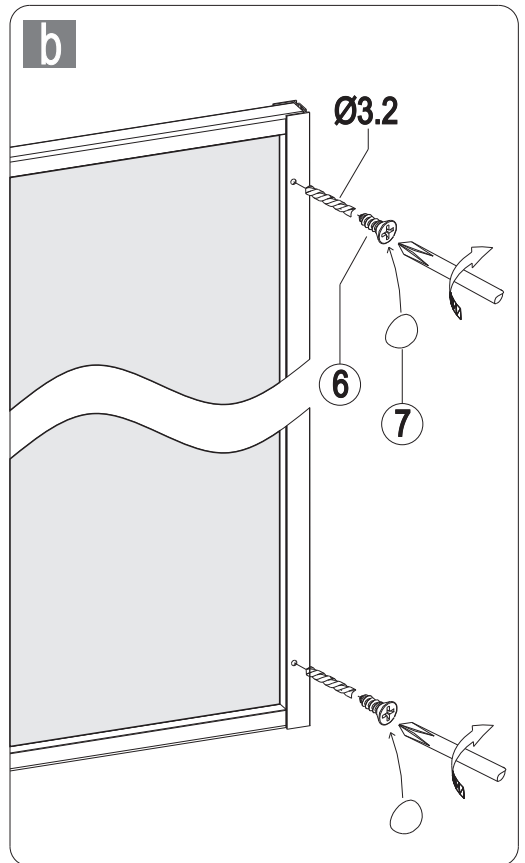
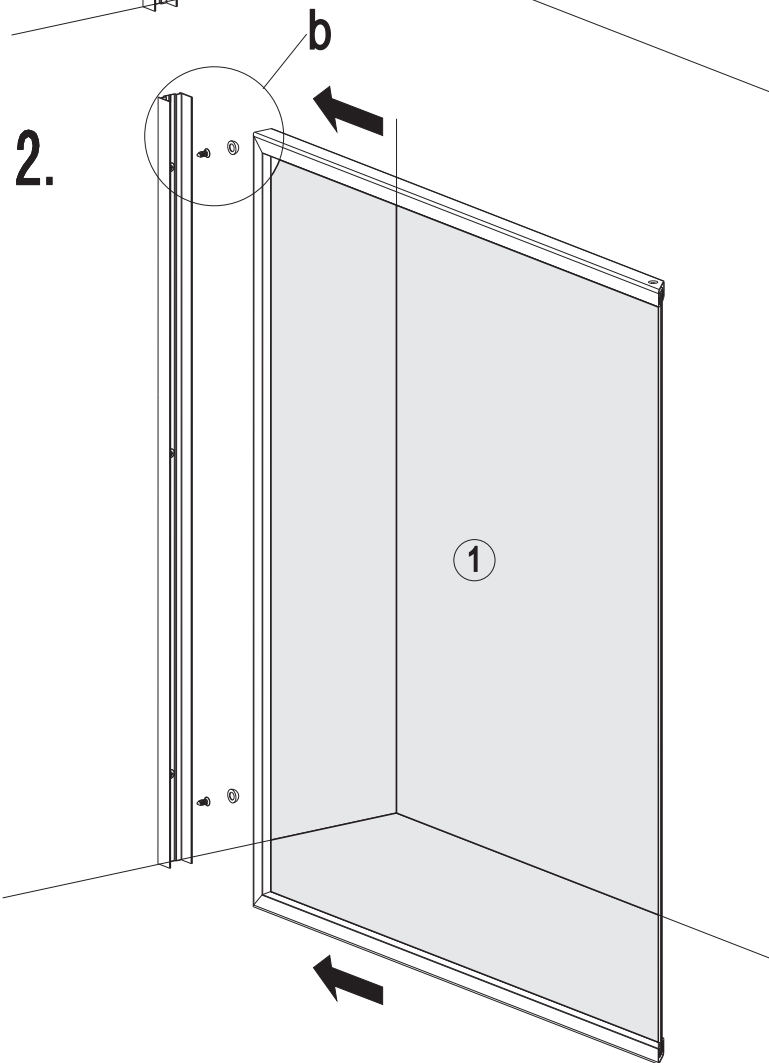


NO.	Designation	Pieces	NO.	Designation	Pieces
1		X1	9	 <b>ST4×6</b>	X6+1
2		X1	10	 <b>M4×6</b>	X1
3		X1	11		X1
4	 <b>ST4×30</b>	X3+1	12		X1
5	 <b>Ø6</b>	X4+1	13	 <b>M4×8</b>	X1+1
6	 <b>ST4X10</b>	X2+1	14		X1
7		X2+1	15	 <b>ST4×30</b>	X1+1
8		X2	16	 <b>2mm</b> <b>3mm</b> <b>4mm</b>	X2 X2 X2
				 <b>2mm</b>	X1
				 <b>Ø6</b> <b>Ø3.2</b> <b>Ø4.5</b> <b>Ø8.5</b>	

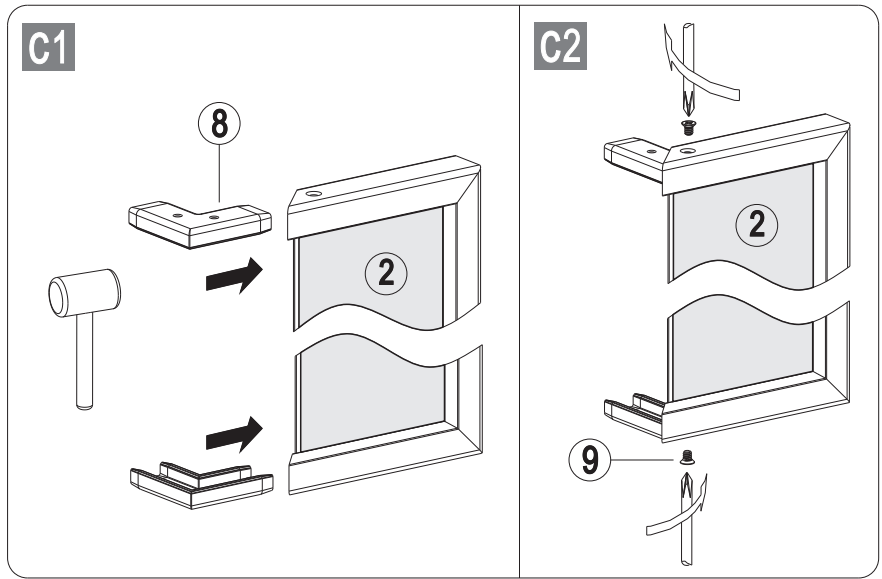
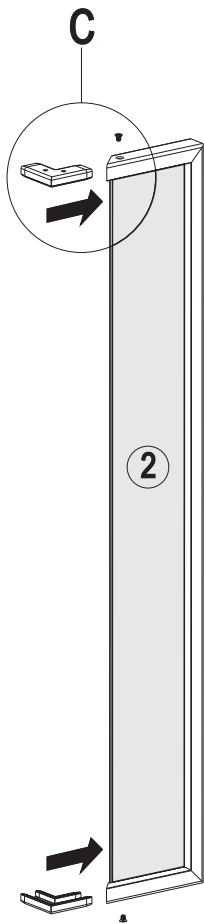
1.



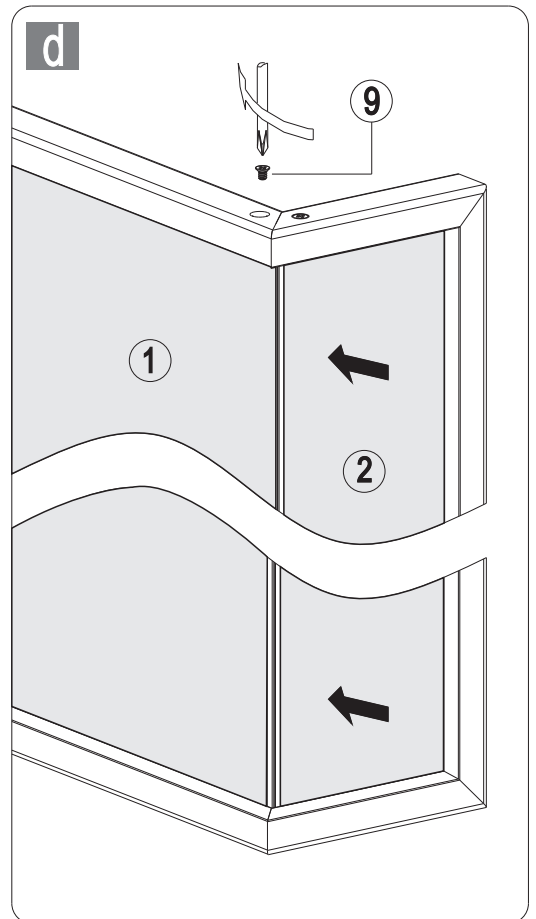
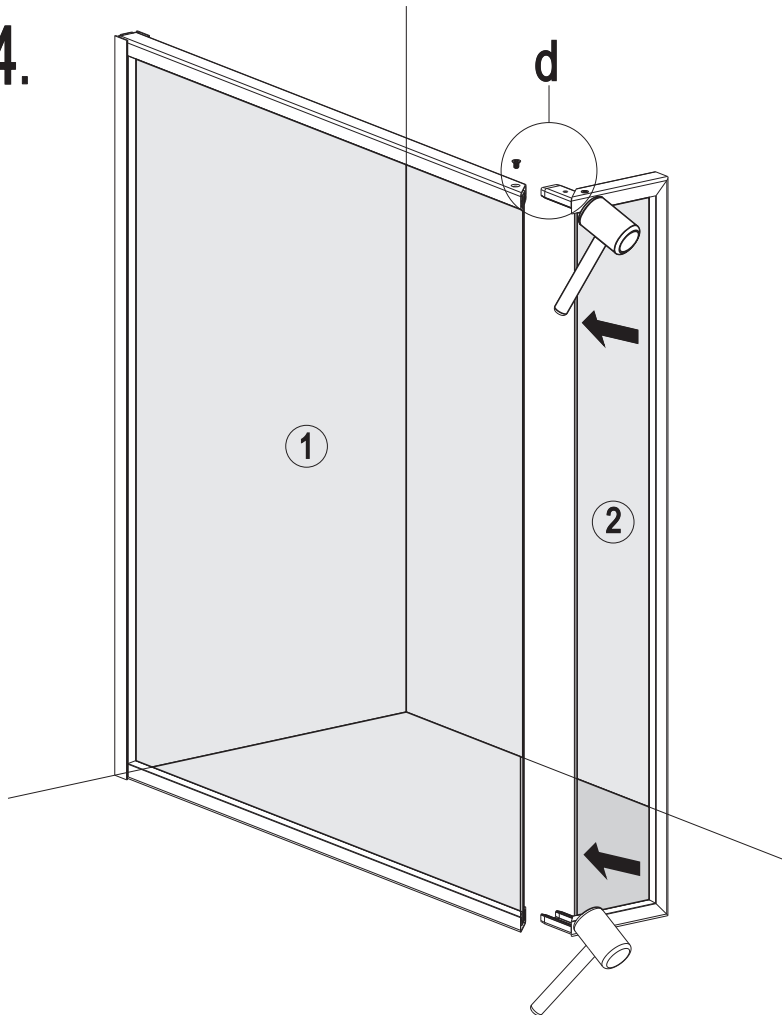
2.



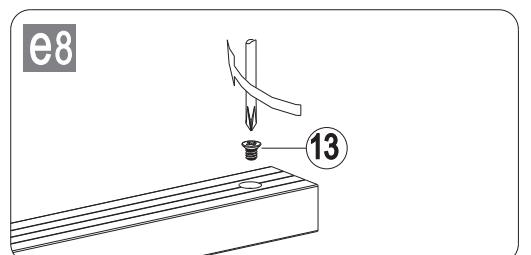
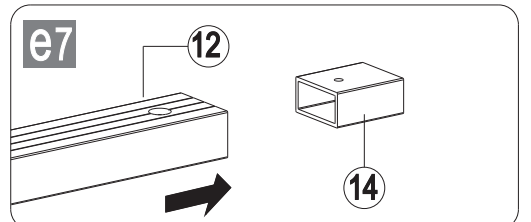
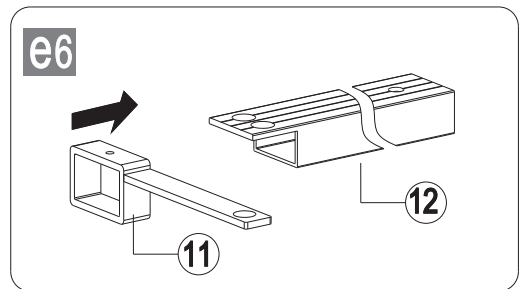
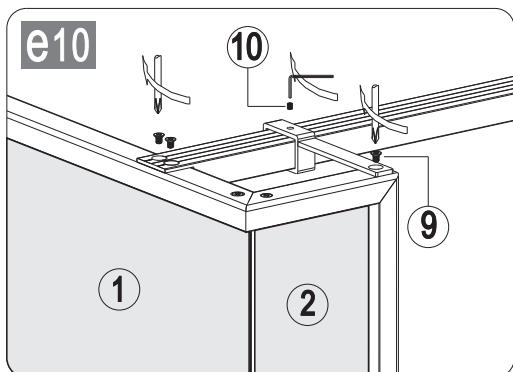
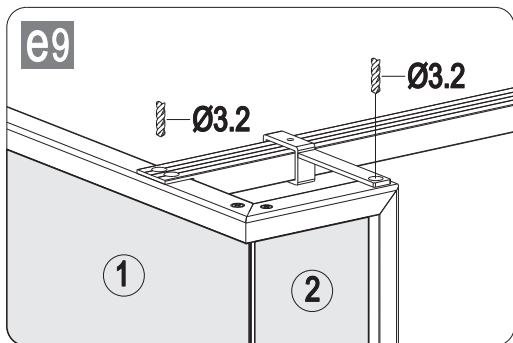
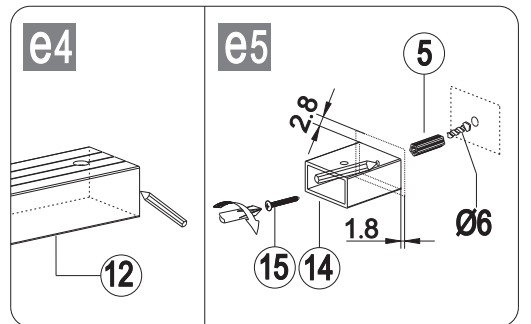
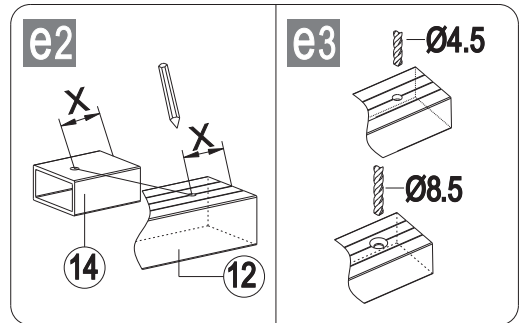
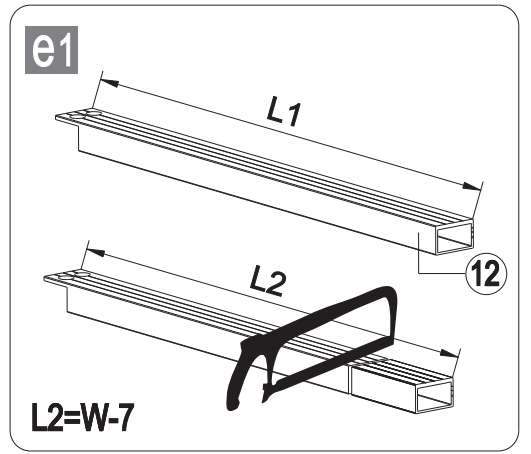
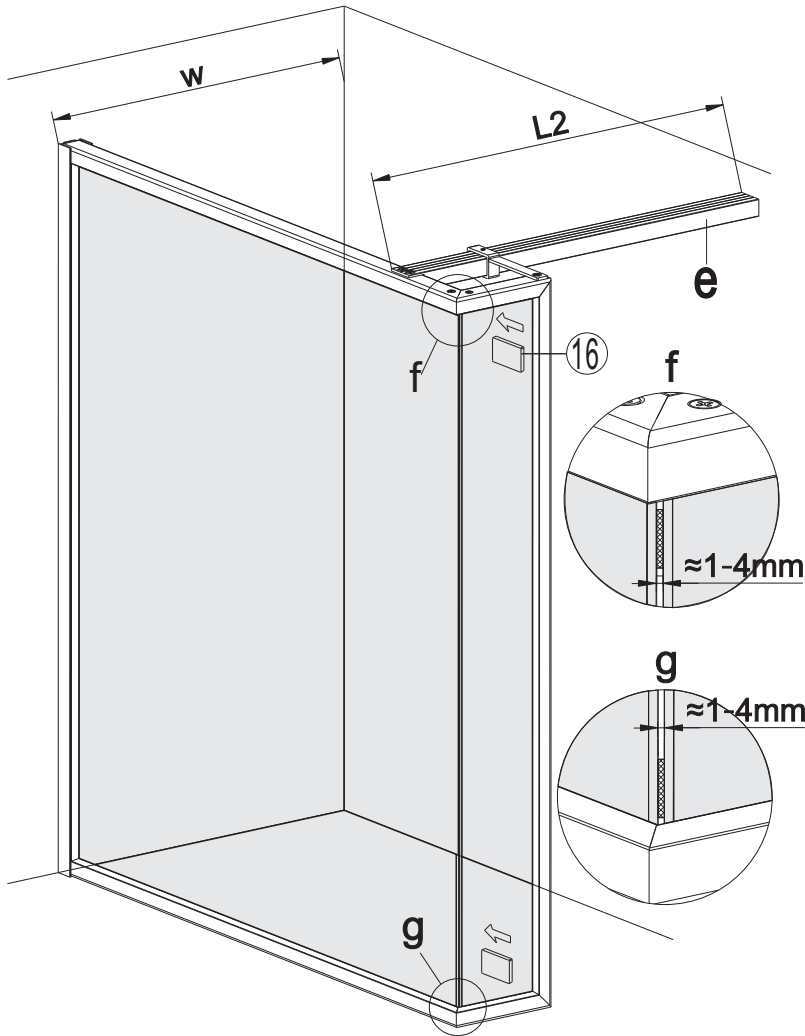
3.



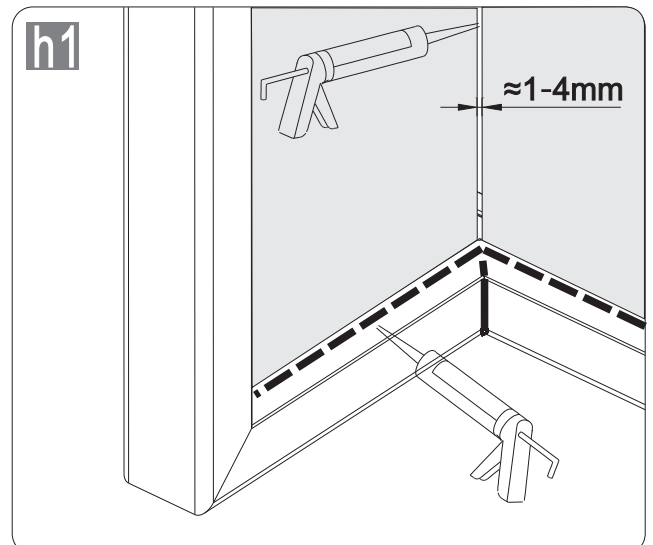
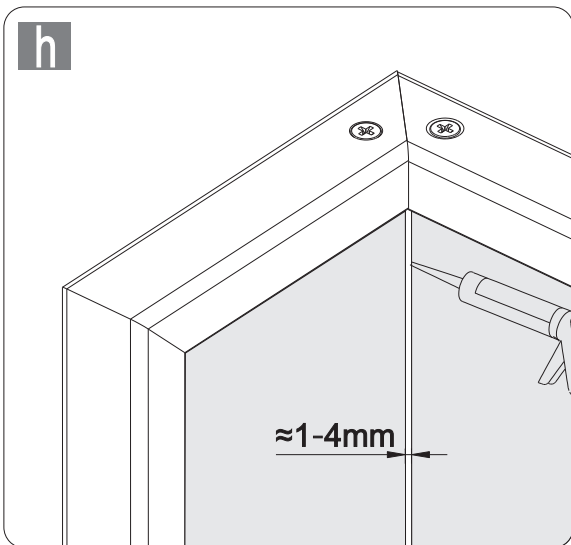
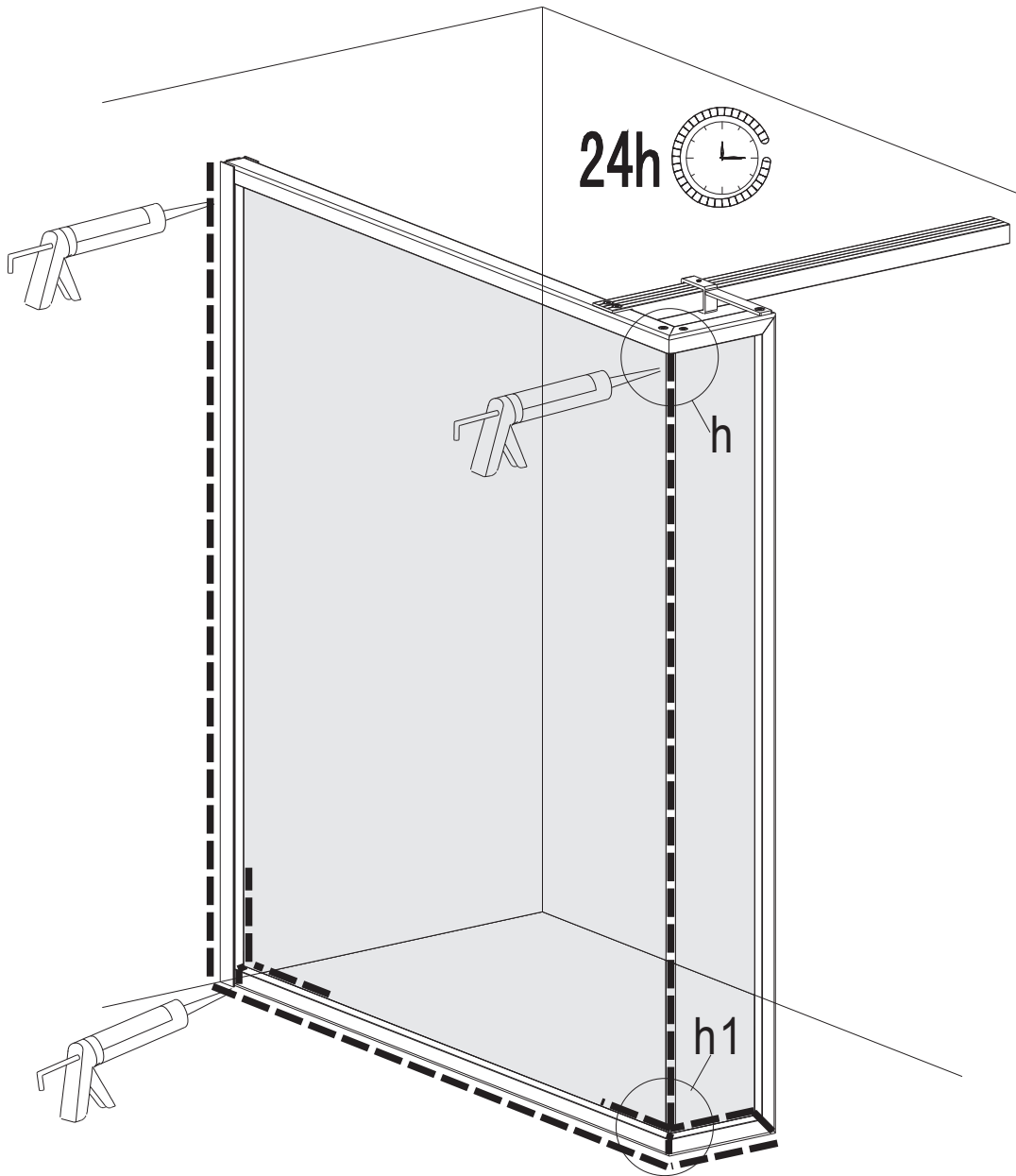
4.



5.



6.



7.

