

HRA80 EXTERNAL ANTENNA

PRODUCT DATA



FEATURES

- Bi-directional communication
- Length of the antenna cable can be max. 30m
- Up to 3 underfloor heating controllers can be connected to one antenna

GENERAL

The external antenna HRA80 is used to be connected on the underfloor heating controllers HCE80 and HCE80R to receive and transmit data from the allocated devices. The antenna module includes the transceiver 868,3MHz.

SPECIFICATIONS

ELECTRICAL

Operating Voltage : Powered by the connected controller

RF Communication

RF band : 868,3 MHz Transceiver

Receiver class : 2

RF communication range : 30m in a residential building environment

RF communication Technology : short, high rate transmission to minimize air time and avoid collisions

ENVIRONMENTAL and STANDARDS

Storage temperature : -20 ... +55 °C

Operating temperature : 0 ... +50 °C

Dimensions (HxWxD) : 90 x 85 x 30 mm

Humidity : max. 5 ... 90 %

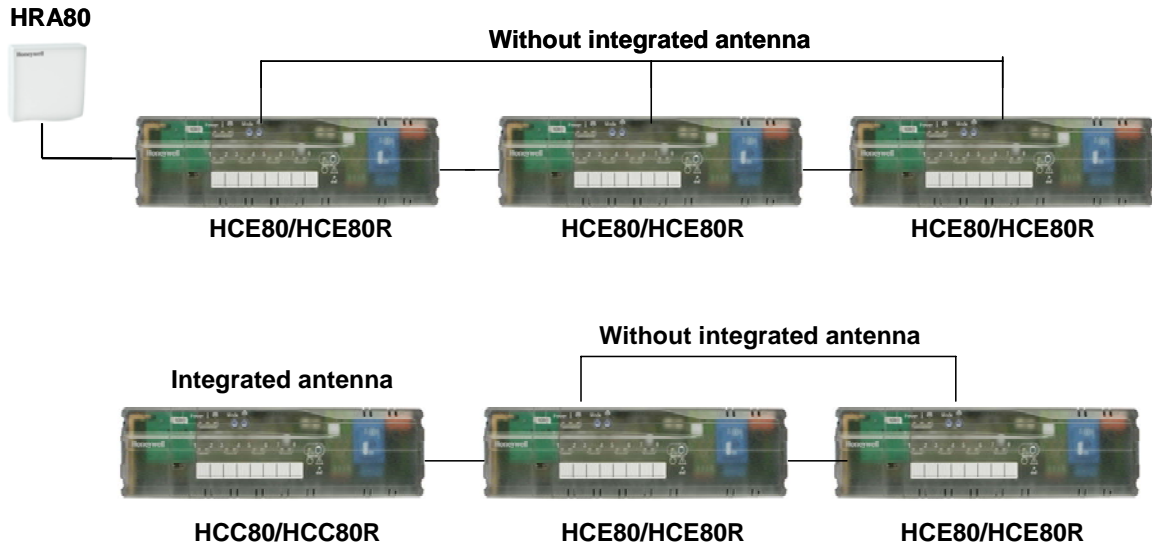
IP class : IP30

Compatible products : HCE80, HCE80R,

Approval : CE

Application

Up to 3 controllers can be connected to one antenna external antenna HRA80 HCE80/HCE80R or internal antenna HCC80/HCC80R. The cable length of the antenna can be max. 30 m.
Communication 868,3 MHz



Honeywell

Automation and Control Solutions

Honeywell AG
 Böblinger Straße 17
 D-71101 Schönaich
 Phone: (49) 7031 63701
 Fax: (49) 7031 637493
<http://europe.hbc.honeywell.com>

Subject to change without notice. Printed in Germany

Manufacturing location certified to

**DIN EN ISO
 9001/14001**

EN0H-0445 GE51 R0303