

UN 13011-26

Unix



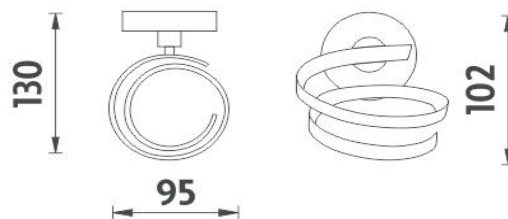
Držák na fén

Držák na fén. Otvor cca 95 mm.

Hairdryer holder

Hairdryer holder. Opening 95 mm. Made of brass with chrome surface finish. The glue MAMUT is not included in the package. It can be bought in addition under the code 35003TU. One tube of the glue is enough for 8-10 holders.

Náhradní díly / Spare parts

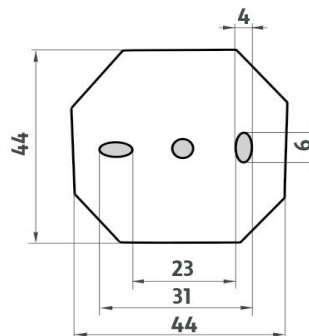


→ 95 ↑ 102 ↗ 130

montáž / installation :



montážní konzole / installation bracket :



materiál - úprava (barva) / material - surface finish (colour) :

pochromovaná mosaz-chrom

chrome plated brass-chrome



→ 100
↑ 80
↗ 140

EAN : **8595187109582**

 **NIMCO**

ROMVEL spol. s r. o.
Dr. Milady Horákové 561/86a
Liberec 7, 460 07
Česká Republika / Czech Republic

T: (+420) 485 105 671
T: (+420) 485 107 441
F: (+420) 485 105 674
E: nimco@nimco.cz



www.nimco.cz