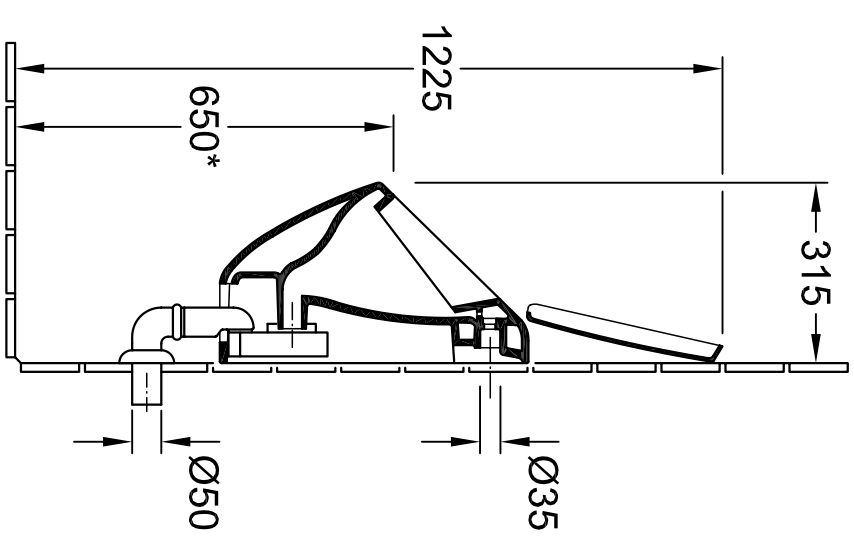
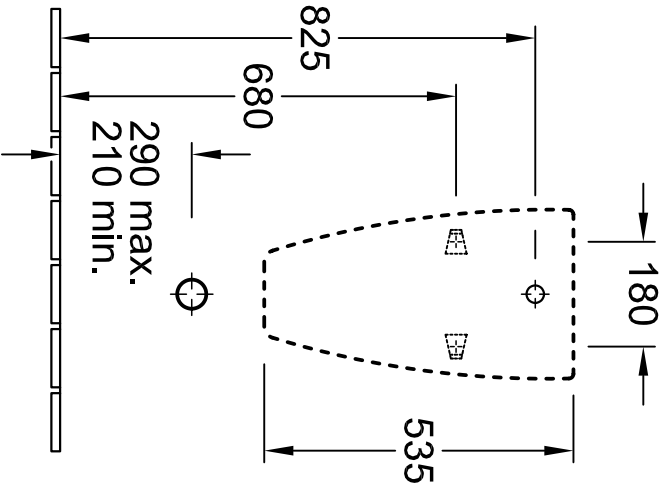
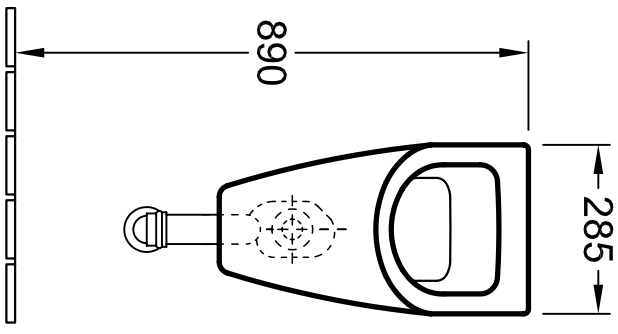


\* We recommend installation at a height suitable for the average user!



\* We recommend installation at a height suitable for the average user!

Designation		<b>Villeroy &amp; Boch</b>
<b>SUBWAY</b> 7513 01 - Urinal		
Altered:	Scale:	This drawing may not be copied or passed on to third parties or competitive companies without our permission. Villeroy & Boch accepts no liability whatsoever for these data and technical drawings. Other parties use them at their own risk. The dimensions indicated are not binding. Villeroy & Boch reserves the right to make product changes.
	Signed:	
	Date:	
		R. Halberstadt
		03. 2006